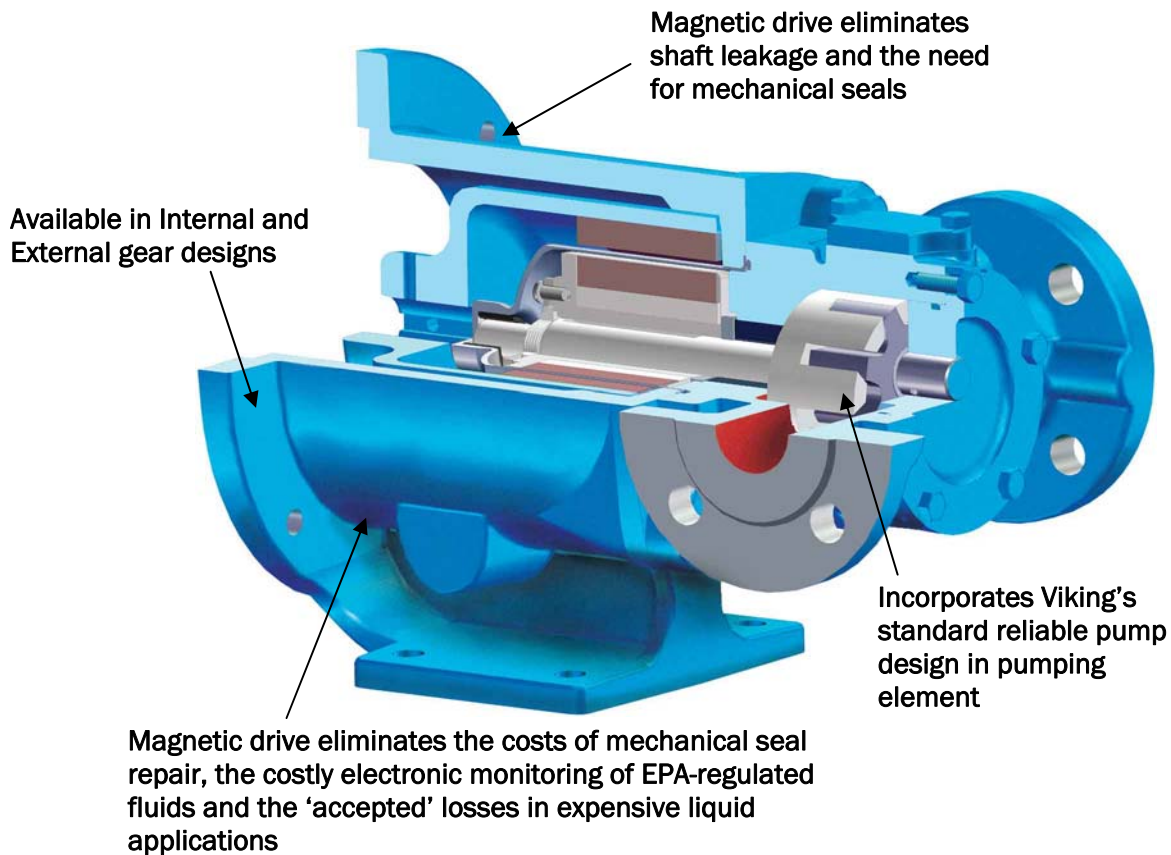




KelairPumps

Magnetic Drive Sealless

VIKING GEAR PUMPS



FEATURES & BENEFITS

- Ideal for hazardous, expensive liquids, and liquids which crystallize
- Typical for transfer applications such as atop unloading of road tankers
- Suitable whenever mechanical seal maintenance is a problem
- The self-priming positive displacement principle provides low shear, non-pulsating flow

Call Kelair Direct 1300 789 466

Magnetic Drive Sealless

STANDARD PUMP CONSTRUCTION & OPTIONS

STANDARD:

- Casing
- Rotor/Gear
- Idler/Gear
- Bushing
- Seal Type

INTERNAL GEAR

- Cast Iron
- Ductile Iron
- Ryton
- Carbon Graphite
- Mag-Drive

EXTERNAL GEAR

- Cast Iron
- Steel
- Steel
- Carbon Graphite
- Mag-Drive

OPTIONS:

- Casing
- Rotor/Gear
- Idler/Gear
- Bushing
- Seal Type

INTERNAL GEAR

- Steel, 316 Stainless Steel
- 316 Stainless Steel
- N/a
- N/a
- N/a

EXTERNAL GEAR

- P.P.S. Composite Plastic
- P.P.S. Composite Plastic
- P.P.S. Composite Plastic
- Bronze
- N/a

PERFORMANCE SPECIFICATIONS - Standard Construction

Model Number	Port Size	Nominal Pump Rating		Max Hydrostatic Pressure	Max Operating Temp Std Const	Approx. Shipp Weight With Valve
		m ³ /hr	RPM			
INTERNAL GEAR	Inches	m³/hr	RPM	Bar	Bar	Kg
GG895	1	1.9	1450	28	93	10
HJ895	1½	15.7	1450	28	93	14
HL895	1½	24.2	1450	28	93	14
AS895	3	42.3	1450	28	93	35
AK895	3	60.4	1450	28	93	35
AL895	3	90.6	1450	28	93	35
EXTERNAL GEAR						
SG-80417	¾	0.01	1450	69	107	2.7
SG-80418	¾	0.02	1450	69	107	2.7
SG-80425	¾	0.03	1450	69	107	2.7
SG-80435	¾	0.05	1450	69	107	2.7
SG-80450	¾	0.07	1450	69	107	3.2
SG-80470	¾	0.09	1450	69	107	3.2
SG-80518	½	0.13	1450	69	107	2.7
SG-80525	½	0.18	1450	69	107	2.7
SG-80535	½	0.26	1450	69	107	2.7
SG-80550	½	0.36	1450	69	107	3.2
SG-80570	½	0.51	1450	69	107	3.2
SG-80510	½	0.73	1450	69	107	3.6
SG-80514	¾	1.02	1450	69	107	4.1
SG-80519	¾	1.39	1450	69	107	4.5
SG-80528	¾	2.05	1450	69	107	5.0
SG-80741	1	0.73	1450	69	107	6.8
SG-80758	1	1.02	1450	69	107	7.7
SG-80782	1	1.46	1450	69	107	8.2
SG-80711	1	2.05	1450	69	107	8.6
SG-80716	1	2.92	1450	28	107	9.1
SG-80722	1½	4.03	1450	28	107	18.6
SG-80732	1½	5.86	1450	28	107	19.5
COMPOSITE CONSTRUCTION EXTERNAL GEAR - VICORR						
RP-80518	½	0.11	1450	14	95	1.36
RP-80525	½	0.19	1450	14	95	1.36
RP-80535	½	0.26	1450	14	95	1.36
RP-80550	½	0.38	1450	14	95	1.36
RP-80570	½	0.53	1450	14	95	1.36
RP-80510	½	0.75	1450	14	95	1.36
RP-80514	½	1.06	1450	14	95	1.36
RP-80782	2	1.51	1450	14	95	5.53
RP-80716	2	3.01	1450	14	95	6.08
RP-80724	2	4.52	1450	14	95	6.67
RP-80732	2	6.02	1450	14	95	7.21